

# 5MP Dual Light Camera

## Dual-light Bullet Coaxial Camera EQL Series

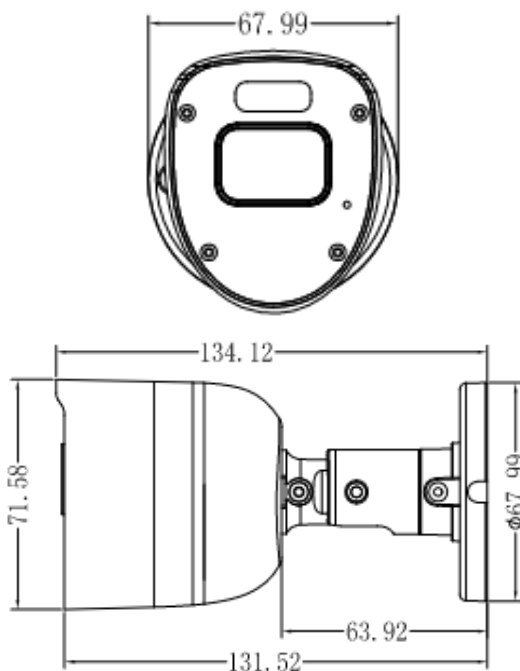
### AHC-EQL5350PTC-T-IR2R-AT

#### Introduction

AHC-EQL5350PTC-T-IR2R-AT is an outdoor waterproof gun developed by our company, suitable for places with low or no light conditions and high definition image quality, such as roads, warehouses, underground parking lots, bars, pipelines, parks, etc.



#### Dimension



#### Main Features



HD Lens



Coaxial control



Coaxial Upgrade



Double light alert



Multiple signal outputs



Zero Delay



Electronic Shutter



ICR



Infrared night vision



IP66



Coaxial Audio (Optional)

## Product Parameters

**Model**     **AHC-EQL5350PTC-T-IR2R-AT**

### Camera

<b>Sensor</b>	1/3" low illumination CMOS sensor
<b>Signal</b>	AHD/TVI/CVI:5MP@20fps 5MP@12.5fps; CVBS:960H P/N
<b>Min.illumination</b>	Color:0.01Lux @(F1.2,AGC ON); 0 Lux with IR B/W: 0.001 Lux @ (F1.2,AGC ON),0 Lux with IR
<b>Shutter time</b>	1/50(1/60)s to 1/10,000s
<b>Lens</b>	HD lens 2.8mm/6mm/3.6mm
<b>Lens mount</b>	M12
<b>Day&amp;night</b>	IR cut filter with auto switch
<b>Max reolution</b>	2592*1944

### General

<b>Temperature</b>	-10°C-+60°C
<b>Humidity</b>	10%-90% RH
<b>Power supply</b>	DC12V±10%
<b>IR range</b>	1 array lamps ,1 white light "IR2":20-30 meters
<b>Consumption</b>	MAX 3W
<b>Material</b>	ABS+PC
<b>Ingress Protection</b>	IP66
<b>Weight</b>	Around 170g
<b>Dimension</b>	68mm*72mm*134mm

### Compression

<b>Video output</b>	1Vp-p Composite Output(75Ω/BNC)
<b>Audio I/O</b>	1/1,Support coaxial audio (optional)