

FOLDING IN / OUT TRACKLESS BRACKET SYSTEM KIT

Model

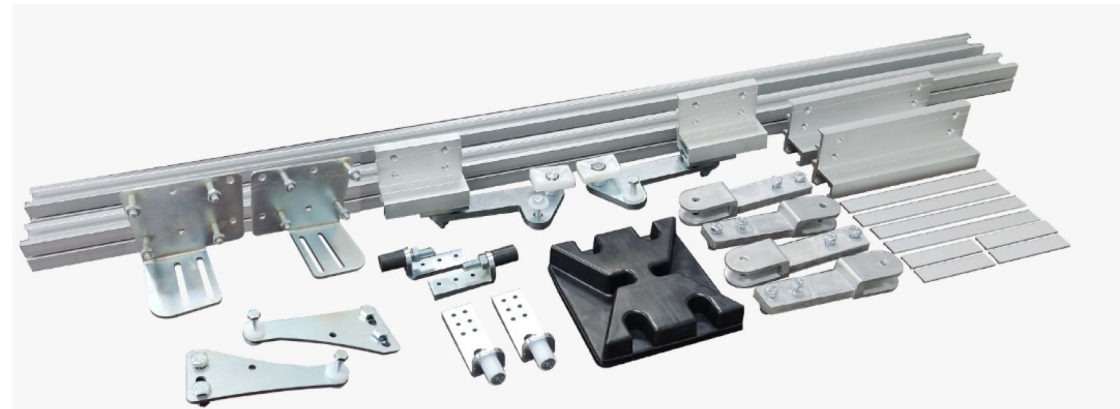
6TL

Support Trackless Folding Gate Length up to 12' (feet) to 20' (feet)

TRACKLESS SYSTEM KIT CONTAIN

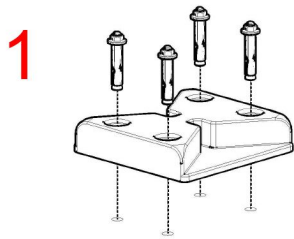
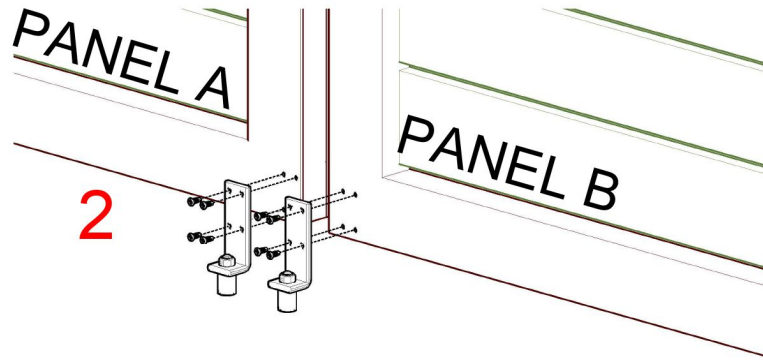
- ①  Stopper Pin x2 pcs
- ②  Floor Stopper x1 pcs
- ③  Adjustable LC Bracket x2 pcs
- ④  TL Track - 170mm x2 pcs
- ⑤  Turning Bracket - 60mm x2 set
- ⑥  Long Bar Join x4 pcs
- ⑦  Opening Stopper x2 pcs
- ⑧  Wall Mounding Bracket x2 pcs
- ⑨  Arm Rack x2 pcs
- ⑩  Long Bar x2 pcs

DFT
AUTOGATE OPERATOR
BUILT ON TRUST. EXCELLENCE IS MUST.



INSTALLATION MANUAL
MODEL - 6TL

1

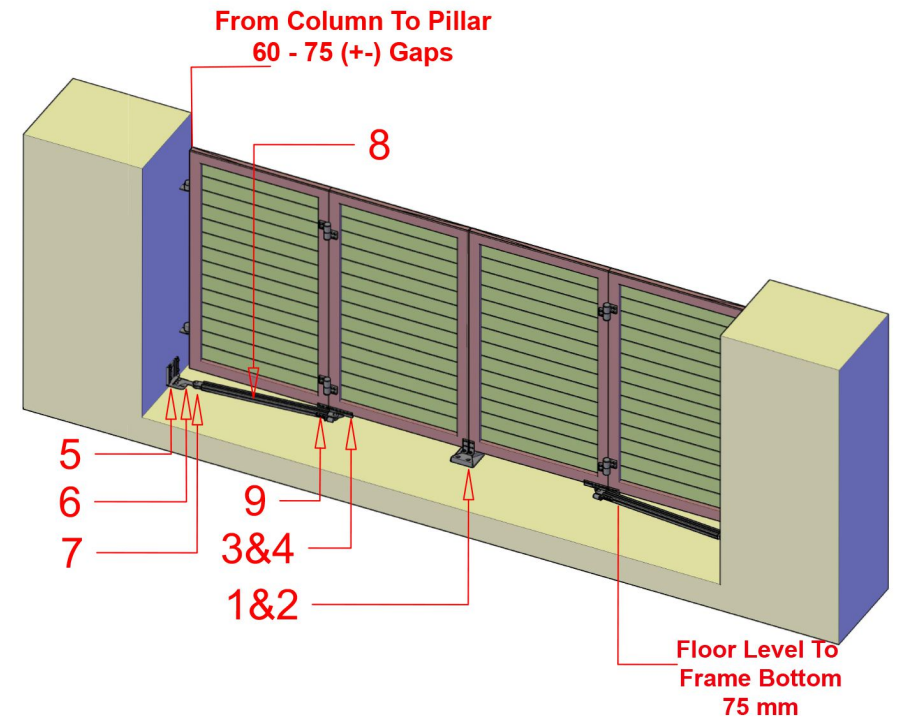


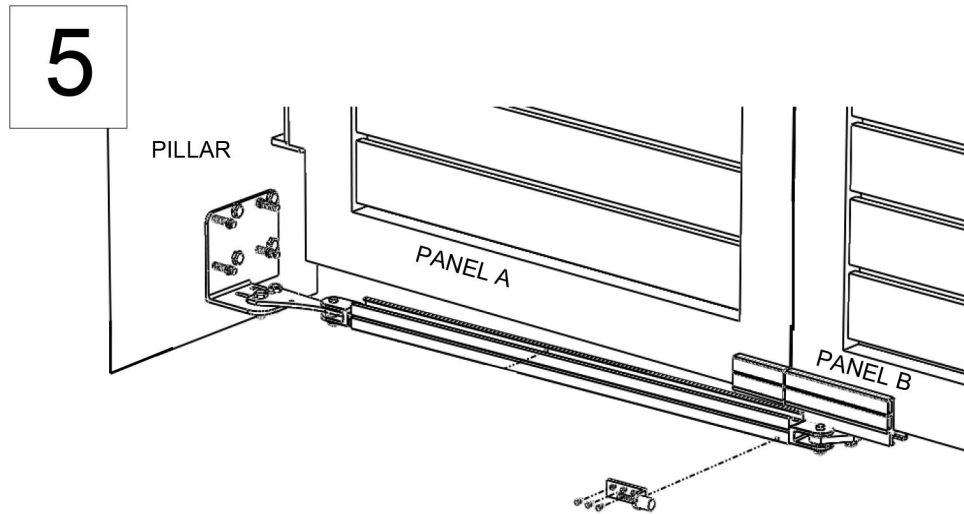
1. Close the Gate with Close Position (Align).
2. Install Stopper ①
3. Install and Adjust the Stopper Pin ② height level.

DFT

AUTOGATE OPERATOR INSTALLATION MANUAL

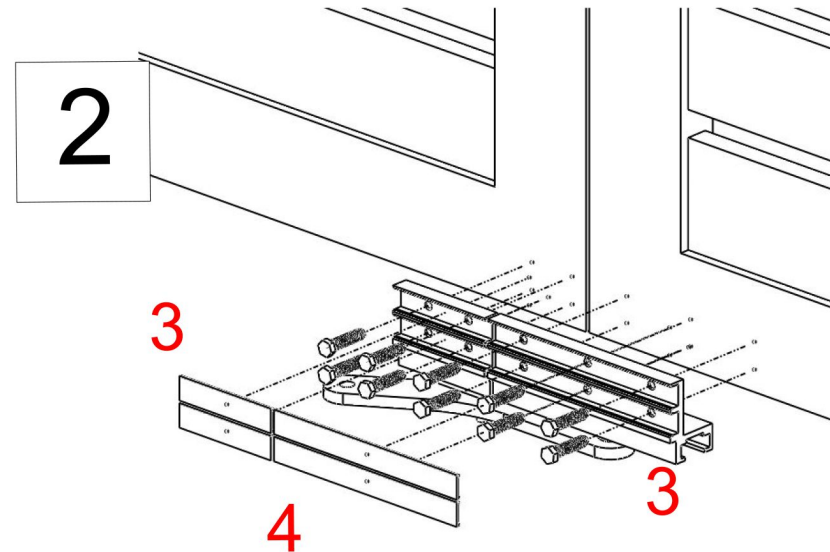
- 6TL -



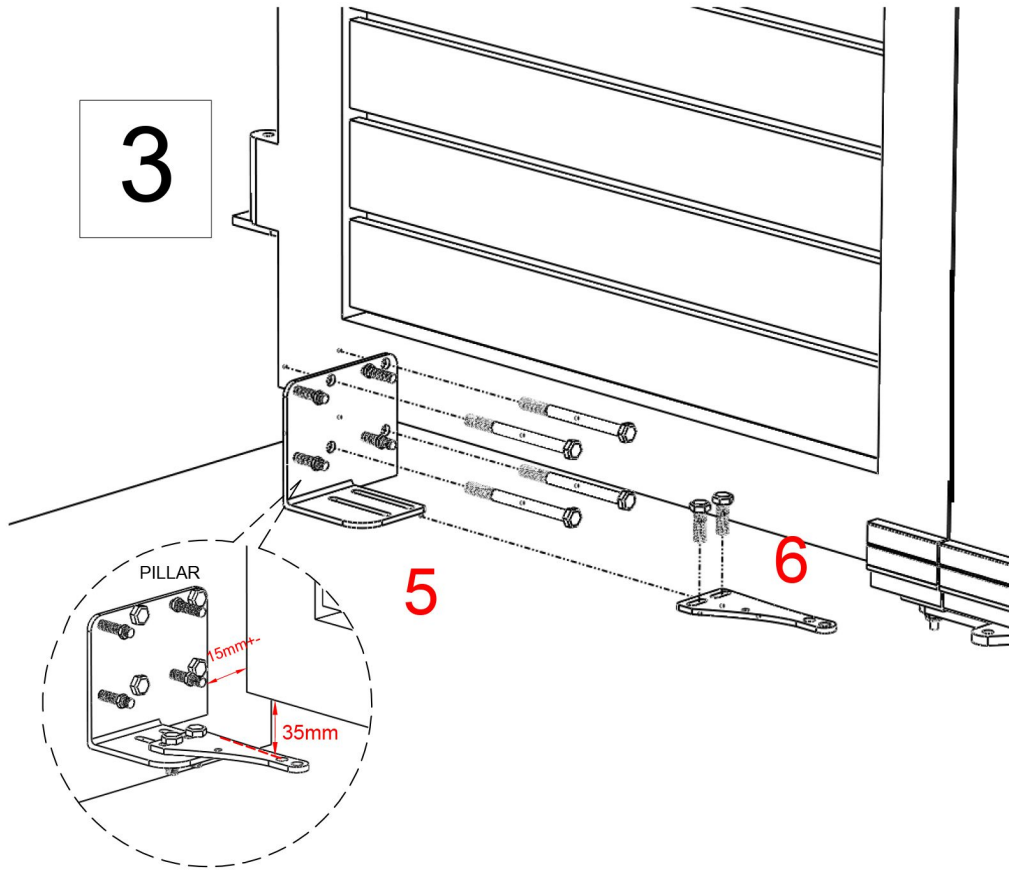


9

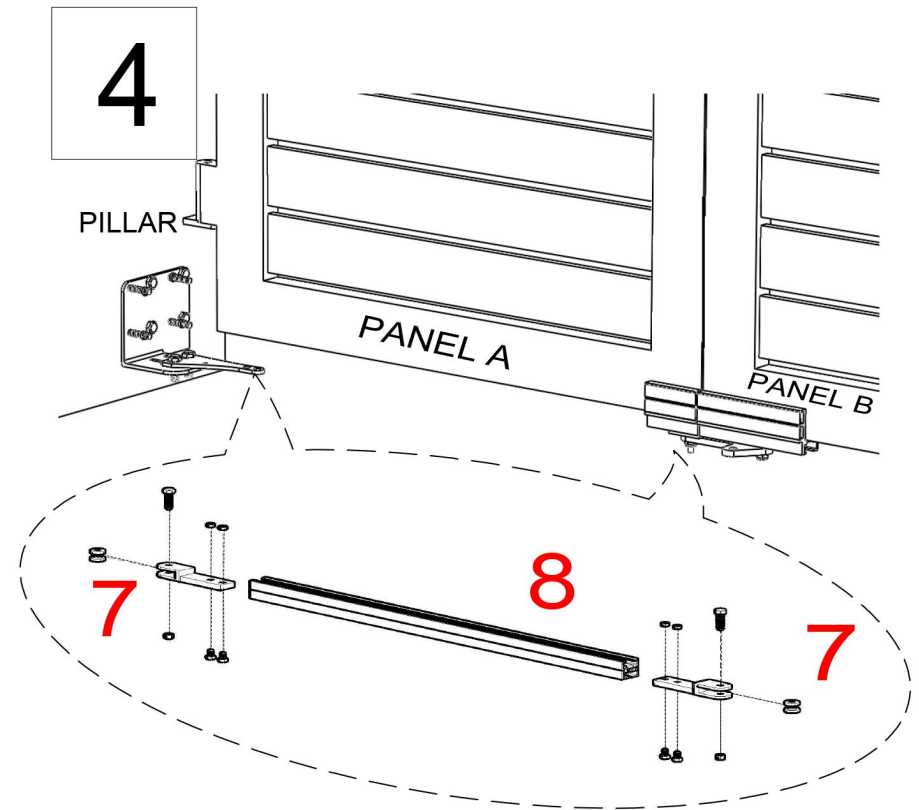
1. Install the Timing Stopper 9 Opening.
2. ** Installation Complete.



1. Install the Long Track & Short Track on the Gate Panel A & B.
 - a. Short Track 3 install on Gate Panel A (View from Inside)
 - b. Long Track 4 install on Gate Panel B (View from Inside)



1. Align the Wall bracket (5) (6) with gate frame.
2. Measure the gate bottom frame with bracket distance and install the bracket.



1. Measure the LONG BAR (8) and cut to size.

*** Calculate for LONG Bar length : Gate Panel A Size - 120mm = Long Bar Size*



**click here to
watch VIDEO**