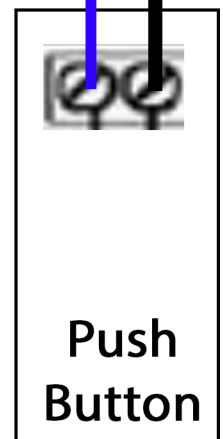
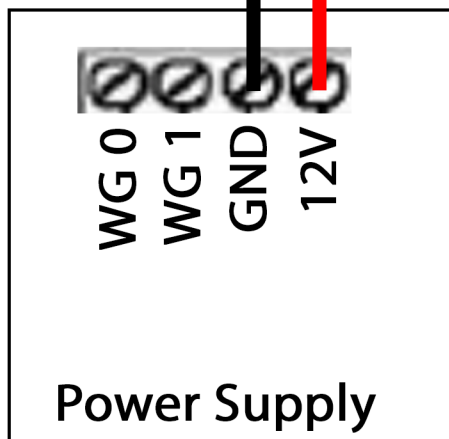
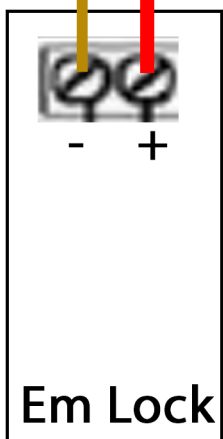
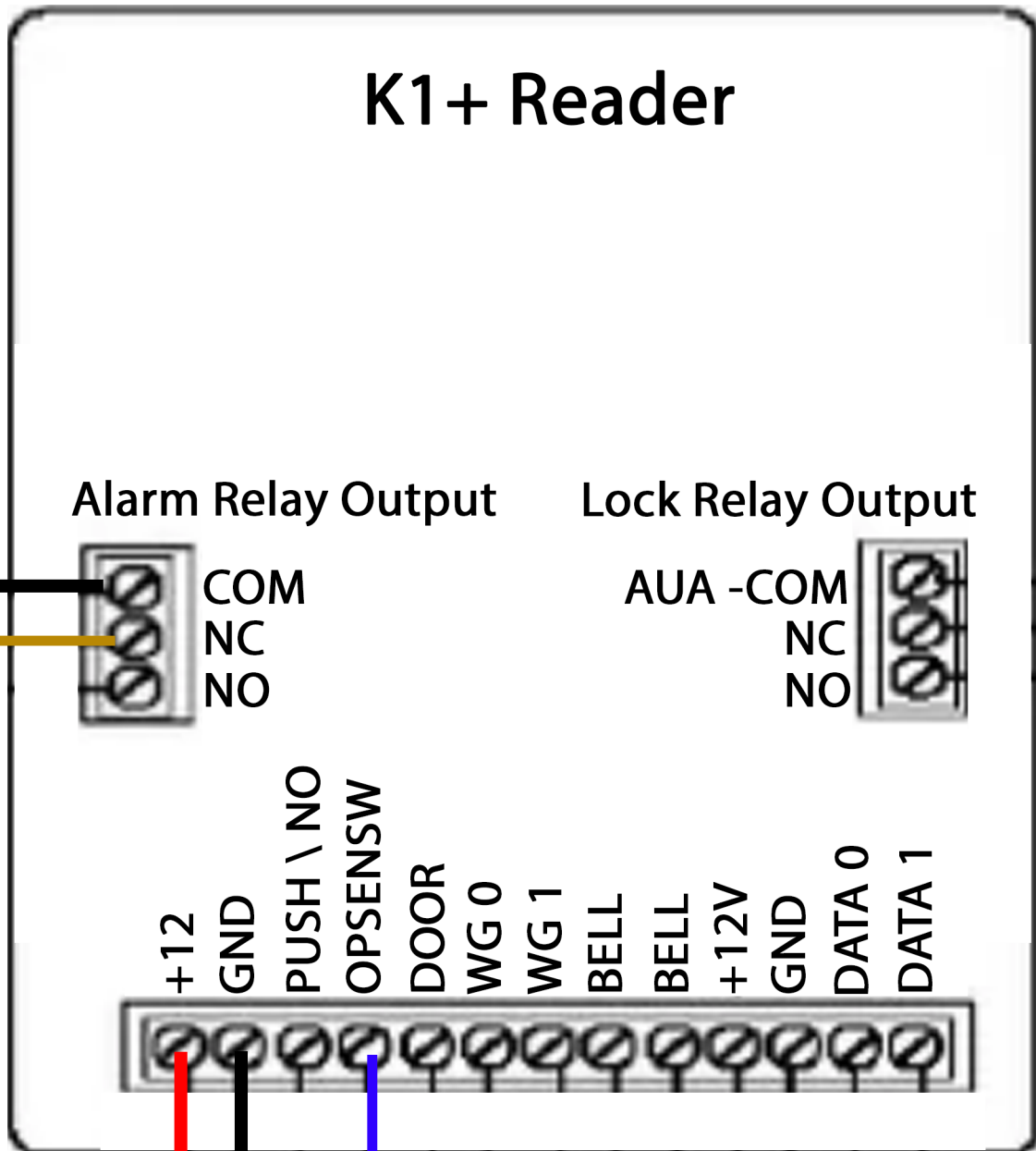
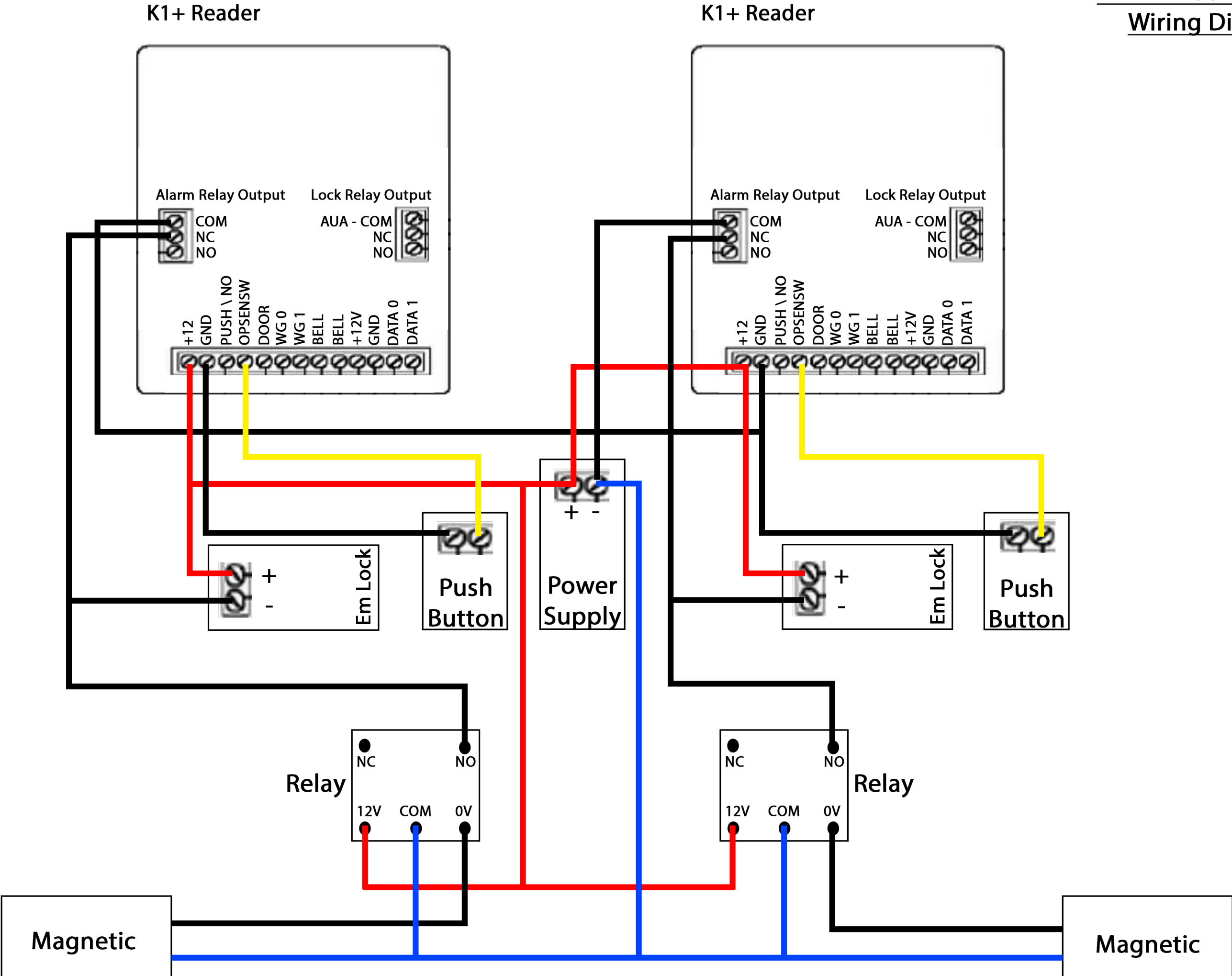


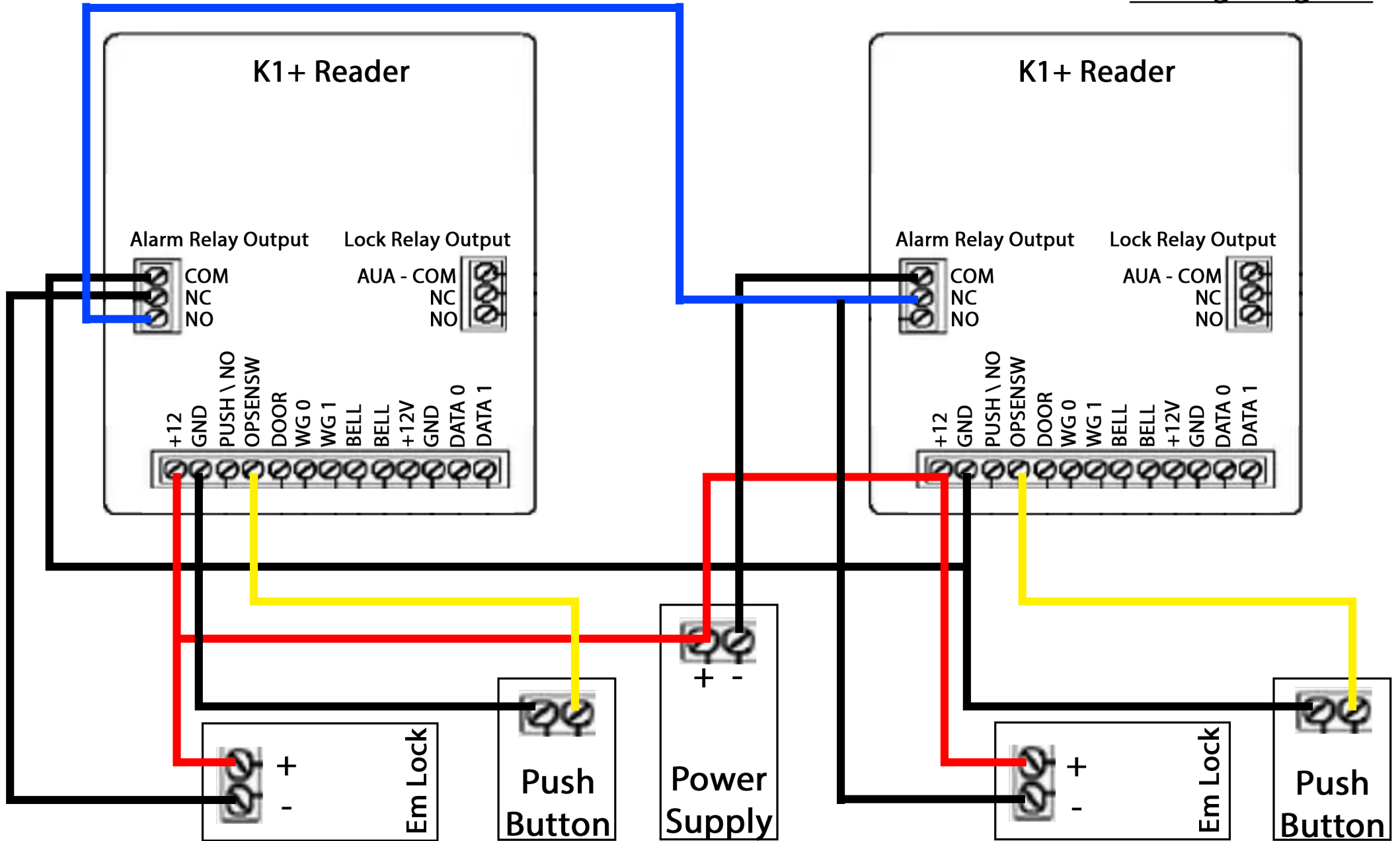
K1+ Wiring Diagram



K1+ 2 Door Interlock
Wiring Diagram



K1+ In Out Reader Wiring Diagram



K1+ Programming

To Add Card

- 1) [#] 6 digit password (Default : 881122)
- 2) [5] Input 4 digit user code (0001 - 9999)
- 3) Touch Card
- 4) [#]

To Delete Card

- 1) [#] 6 digit Password (Default : 881122)
- 2) [7] Touch Card To Delete
- 3) [#]

To Add Pass Code Open Door

- 1) [#] 6 Digit Password (Default : 881122)
- 2) [3] Input 4 Digit Code
- 3) [#]

To Change Open Door Code

- 1) [#] 6 Digit Password (Default : 881122)
- 2) [3] New Code
- 3) [#]

To Reset Password Or Code

- 1) [#] 6 Digit Password (Default : 881122) [86]

To Factory Reset Device

- 1) Short circuit JUMPER J2 Behind Circuit Board.

To Set Lock Release Timer

- 1) [#] [2] Input 2 Digit

Timer Value

* 3 sec 03

* 15 sec 15

*MAX CARD CAPACITY : 10000 SHEET