

2MP Dual Light Camera

Dual-light Bullet Coaxial Camera EQL Series

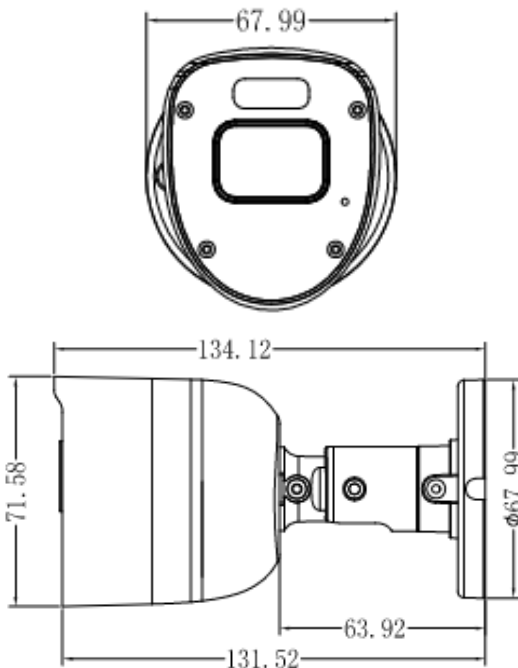
AHC-EQL5320PTA-IR2R-AT

Introduction

AHC-EQL5320PTA-IR2R-AT is an outdoor waterproof gun developed by our company, suitable for places with low or no light conditions and high definition image quality, such as roads, warehouses, underground parking lots, bars, pipelines, parks, etc.



Dimension



Main Features



HD Lens



Coaxial control



Coaxial Upgrade



Double light alert



Multiple signal outputs



Zero Delay



Electronic Shutter



ICR



Infrared night vision



IP66



Coaxial Audio (Optional)



Product Parameters

Model **AHC-EQL5320PTA-IR2R-AT**

Camera

Sensor	1/3" low illumination CMOS sensor
Signal	AHD/TVI/CVI:1080P@25fps
Min.illumination	Color:0.01Lux @(F1.2,AGC ON); 0 Lux with IR B/W: 0.001 Lux @ (F1.2,AGC ON),0 Lux with IR
Shutter time	1/50(1/60)s to 1/10,000 s
Lens	HD lens 2.8mm/6mm/3.6mm
Lens mount	M12
Day&night	IR cut filter with auto switch
Max resolution	1920*1080

General

Temperature	-10°C-+60°C
Humidity	10%-90% RH
Power supply	DC12V±10%
IR range	1 array lamps ,1 white light "IR2":20-30 meters
Consumption	MAX 3W
Material	ABS+PC
Ingress Protection	IP66
Weight	Around 170g
Dimension	68mm*72mm*134mm

Compression

Video output	1Vp-p Composite Output(75Ω/BNC)
Audio I/O	1/1,Support coaxial audio (optional)