

5.0MP H.265 Turret IP Camera



Order info

ZN-NC-HBR2500L-I3PS-BUILD IN MIC

Brief Introduction

ZN-NC- HBR2500L adopts 1/2.8" progressive scan CMOS sensor, the maximum resolution is 2592*1944, transmission based on IP network through advanced H.264/H.265 video compression algorithm. This product is equipped with high-efficiency infrared lamps and built-in IR_CUT for night time monitoring. The outer casing of this product is made of all-metal material, anti-riot shell, protection grade is IP66 and can be used indoors and outdoors.

Application Scene

Applicable to underground garages, bars, passages, factories, buildings, homes, finance, telecommunications, hotels, supermarkets, museums, and etc, that require day and night monitoring and high-definition picture quality.

Features

Adopt 1/2.8" progressive scan CMOS sensor

Adopt advanced H.264/H.265 video coding algorithm with high compression ratio and low bandwidth and high image quality

Maximum resolution 2592*1944@20fps, support dual-stream transmission

Support 2D/3D DNS and DWDR, and defoggy

Support corridor mode, interested area (ROI)

Support digital watermark encryption to prevent data from being tampered with

Support IR_CUT (IR_CUT filter with auto switch) for real day and night monitoring

Adopt EXIR dot matrix infrared lamp technology, IR range: 30 meters

Support mobile phone direct connection monitoring, private network penetration

Support Onvif/CGI

Support motion detection, network abnormal, mask alarm and some smart alarm

Support POE power supply

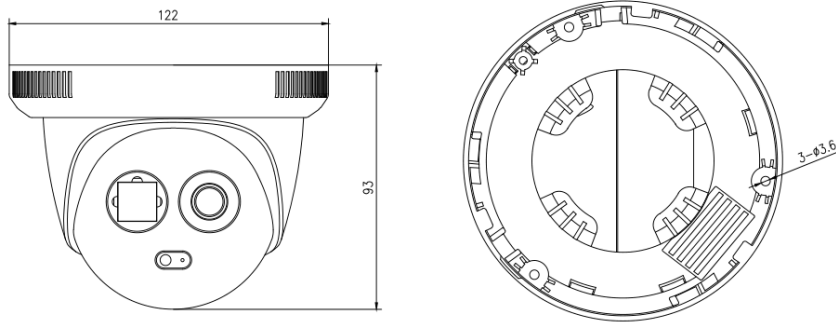
Protection grade is IP66

Specification Table

5.0MP H265 1 IR LED Turret IP Camera		
Model	ZN-NC-HBR2500L-I3PS-MIC	
Camera	Sensor	1/2.8" 2.0Mega Progressive Scan CMOS
	Min. Illumination	Color 0.1Lux@F1.2 (AGC ON) ; 0Lux@F1.2 (AGC ON) with IR
	Lens	3.6mm M12 Lens; 2.8mm/6mm Optional
	IR Range	30m,Support Smart IR
	Electronic Shutter	Auto (1/25s ~ 1/100,000s)
	Day / Night	Auto / Color / B&W (Inside IR CUT)
	DNR	2D/3D DNR
	Anti-Fog	Support (ON/OFF)
	WDR	DWDR
Image Adjustment	Sharpness, Brightness, Saturation, Contrast Adjustable	
Encode	Compression	H.265 Main Profile/H.264 High Profile/H.264 Main Profile/H.264 BaseLine Profile
		H.265+/ H.264 High Profile+ / H.264 Main Profile+ / H.264 Base Line Profile+
		Max. Resolution
	Bit Bitrate Control	Support VBR / CBR
Bit Rate	32Kbps~4Mbps	
Interface	Audio	1 Built-in Mic
	Network Port	1 RJ45 10M/100M Ethernet interface
Function	Motion Detection	Multiple Detection Zones, Variable Sensitivity Levels
	Corridor Mode	Support
	ROI	Support
	Privacy Masking	4 Zones for Privacy Masking
	Snapshot	Support JPEG, Resolution is the max encoding resolution
	Security Features	Password, Watermarking
	Text Overlay	Support (Channel Title, Time Title)
	Alarm	Network Anomaly, Mask Alarm and etc.
Mobile Phone App	Support IOS and Android	

	Network Protocol	TCP/IP; UDP; HTTP; IGMP; ICMP; DHCP; RTP/RTSP; DNS; DDNS; FTP; NTP; UPNP
	Protocol	ONVIF/CGI
General Parameter	Protection Grade	IP66
	Power Supply	DC12V (±25%) / POE
	Temperature	-30°C--+60°C
	Humidity	10%--90%
	Power Consumption	5.5W Max.
	Install Type	Ceiling Mounting
	Dimensions	Φ122mm*93mm
	Weight	390g

Dimensions



Unit : mm