



K1+

Outdoor Easy Keypad

- > Metal case, backlit keypad
- > One relay, 1000 users (990 Normal Users + 10 Visitor Users)
- > 3 access modes: Card, PIN, Card + PIN
- > Card type: 125KHz EM card/13.56MHz Mifare card
- > PIN length: 4~6 digits
- > Anti-tamper alarm
- > Waterproof, IP66



Anti-Vandal



Temperature Range

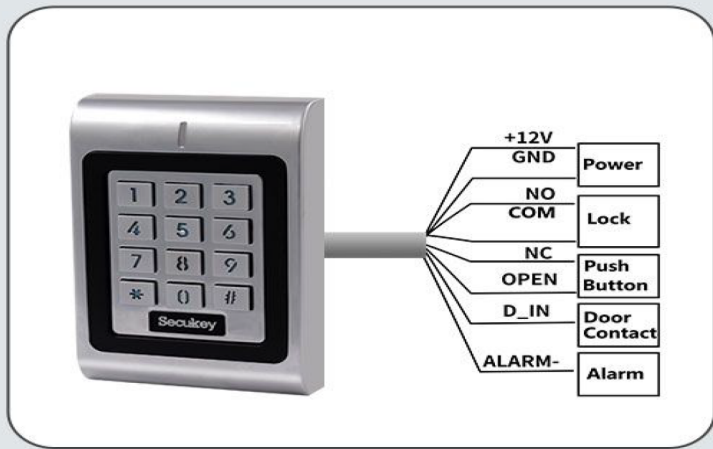


Card/PIN



[Overview](#) [Specifications](#) [Configure](#) [Dimensions](#) [Download](#)

User Capacity Normal Users Visitor Users	1000 Cards/PINS 990 10
Operating Voltage Idle Current Active Current	12~18V DC 50mA 80mA
Keypad	12 Keys
Proximity Card Reader Radio Technology Read Range	EM/Mifare Optional 125KHz EM Card/ 13.56MHz Mifare Card 3-6 cm
Wiring Connections	Relay Output, Exit Button, Alarm, Door Contact
Relay Adjustable Relay Output Time Lock Output Load	One (NO, NC, Common) 0-99 Seconds (5 seconds default) 3 Amp Maximum
Environment Operating Temperature Operating Humidity	Outdoor (IP66) -40°C ~ 60°C (-40°F ~ 140°F) 10%RH-90%RH
Physical Surface Finish Dimensions Unit Weight Shipping Weight	Zinc- Alloy Enclosure Powder Coat 11.7L x7.6W x 2.5H (cm) 470g 550g



Standalone Easy Keypad

Have Visitors?

No worry, use our K1+
It supports 10 visitor users
Can set valid for 1~10 times



Backlit Keypad

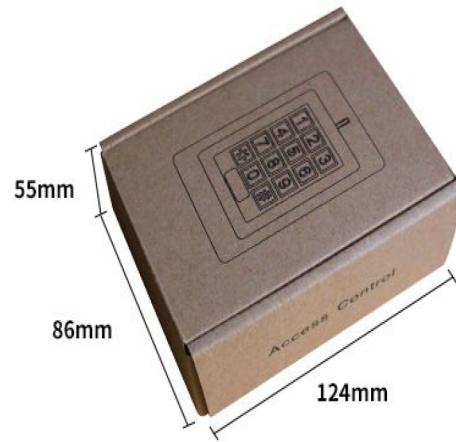
Waterproof, conforms to IP66



Product Size



Gift Box Size



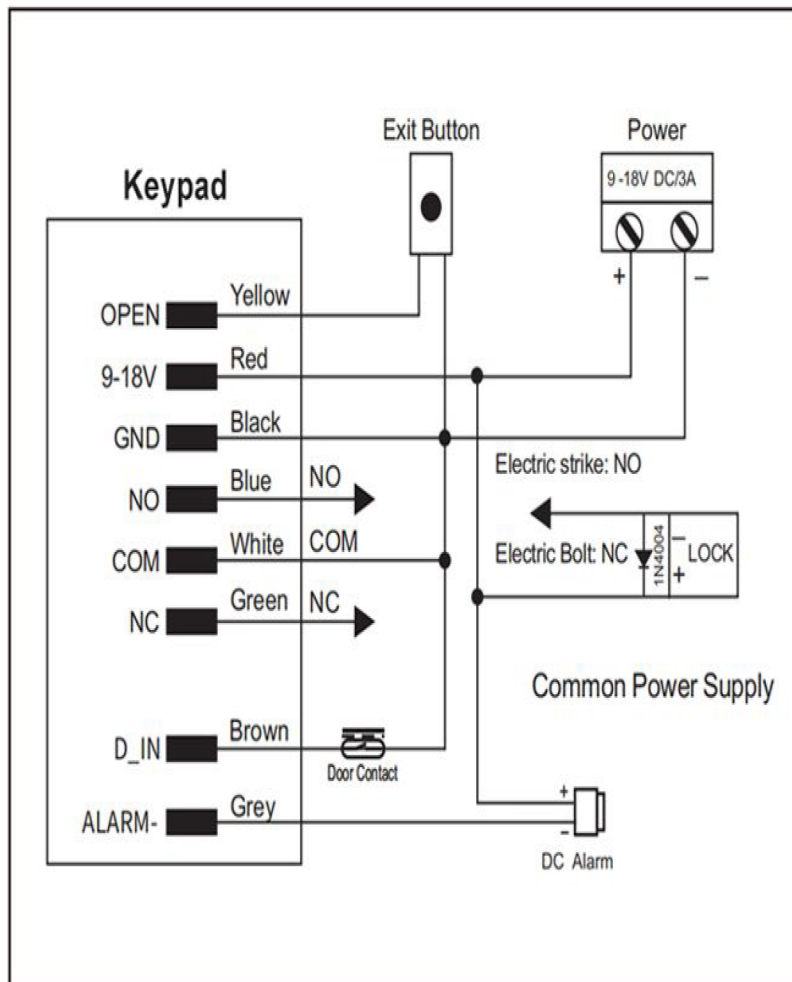
Carton Size



Packing	20pcs/carton
Weight	12kg



Common Power Supply



Special Power Supply

